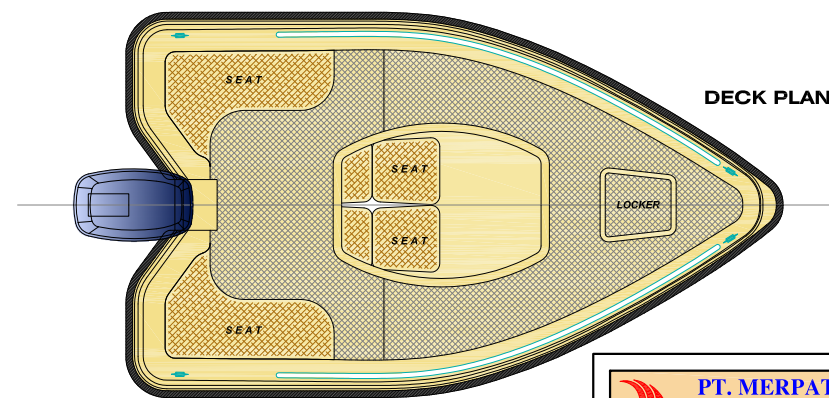
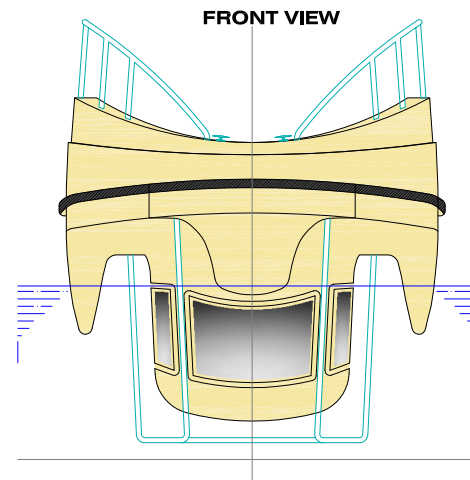
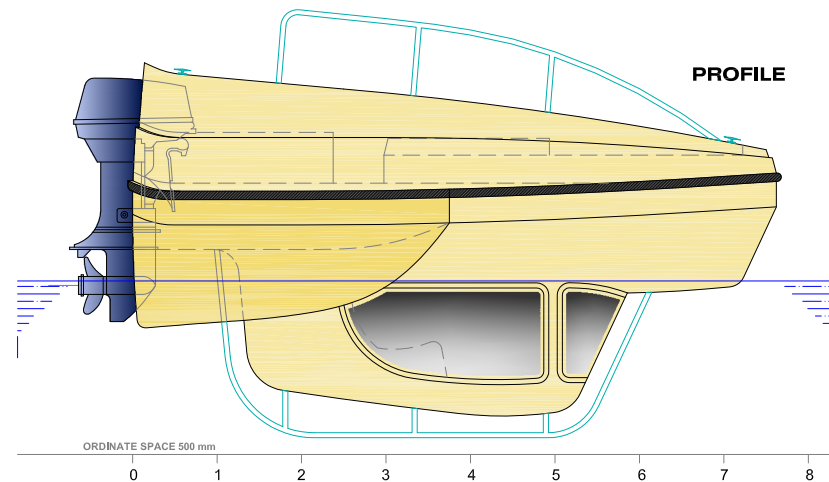


YELLOW SUBMARINE 3.80M

GENERAL ARRANGEMENT/LAY-OUT



BRIEF SPECIFICATION

PRINCIPAL DIMENSIONS

LENGTH OVER ALL	3.80 M	ENGINE OB MANUAL 2 STK	1 x 25 HP
BREADTH MLD	2.20 M	SPEED MAX. ABT.	7 KNOTs
DEPTH MLD	1.35 M	SPEED CONT. (80 % MCR) ABT.	5 KNOTs
DRAFT DESIGN	0.80 M	ENDURANCE CONT.SPEED ABT.	2 H/10 SM
FUEL OIL TANK PLASTIC	24 LT	PASSENGER	5 People

STANDARD EQUIPMENT

1. DECK HARDWARE

- 1 set Fender
- 4 pcs Solid base cleat
- 4 pcs Lifting eye
- 1 pc Bow eye
- 2 pcs Handle
- 2 set Bottle holder
- 1 set Railing/Grabral
- 1 set Fitting MH cover

2. INTERIOR/EXTERIOR

- 2 set Seat cushion
- 3 set Window
- 1 set Mooring eq. locker

3. AUXILIARY

- 1 set Bilge pump 500gph
- 1 set Pipng system
- 4 pcs Thruu hull

OPTIONAL EQUIPMENT

1. ENGINE

- 1 sets YAMAHA OB 25HP manual 2 stroke
- 1 sets Tiller handle

2. ELECTRICAL DC 12V

- 1 set Cable instalation
- 1 set Switch panel 4gang
- 1 set Battery 12V/70AH
- 1 set Battery switch
- 1 Navigation light
 - 1 pc Mast head light
 - 2 pcs Side head light

3. INVENTORY

3.1. MOORING EQUIPMENT

- 1 Set Anchor folding 4 kg
- 1 Set Anchor nylon Ø½" @50m
- 1 set Mooring nylon Ø½" @10m
- 4 Pcs Inflatable cylinder fender F1

3.2. LIFE SAVING EQUIPT.

- 5 pcs Life jacket
- 1 pc Fire extinguiser 1 kg

3.3. NAVIGATION EQUIPT.

- 1 pc Magnetic Compass Ø 3"
- 2 pc Horn (gas air sound)
- 1 set Sport light

Drawing & Brief Specification
Subject to change without Notice



PT. MERPATI MARINE SERVICE

BOAT BUILDER, BOAT REPAIR & MARINE ACCESSORIES

Jl. Marunda Tiram No. 1 & 2, Jakarta-Utara. Telp. (62-21) 98133527, (62-21) 88991038, Fax. 071 4404624. web. : www.merpatimarine.com, email : merpatimarine@yahoo.co.id